

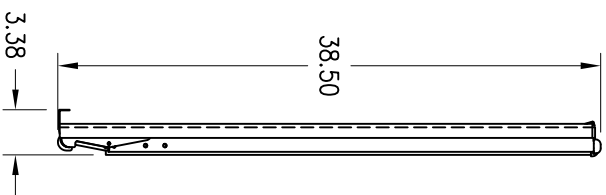
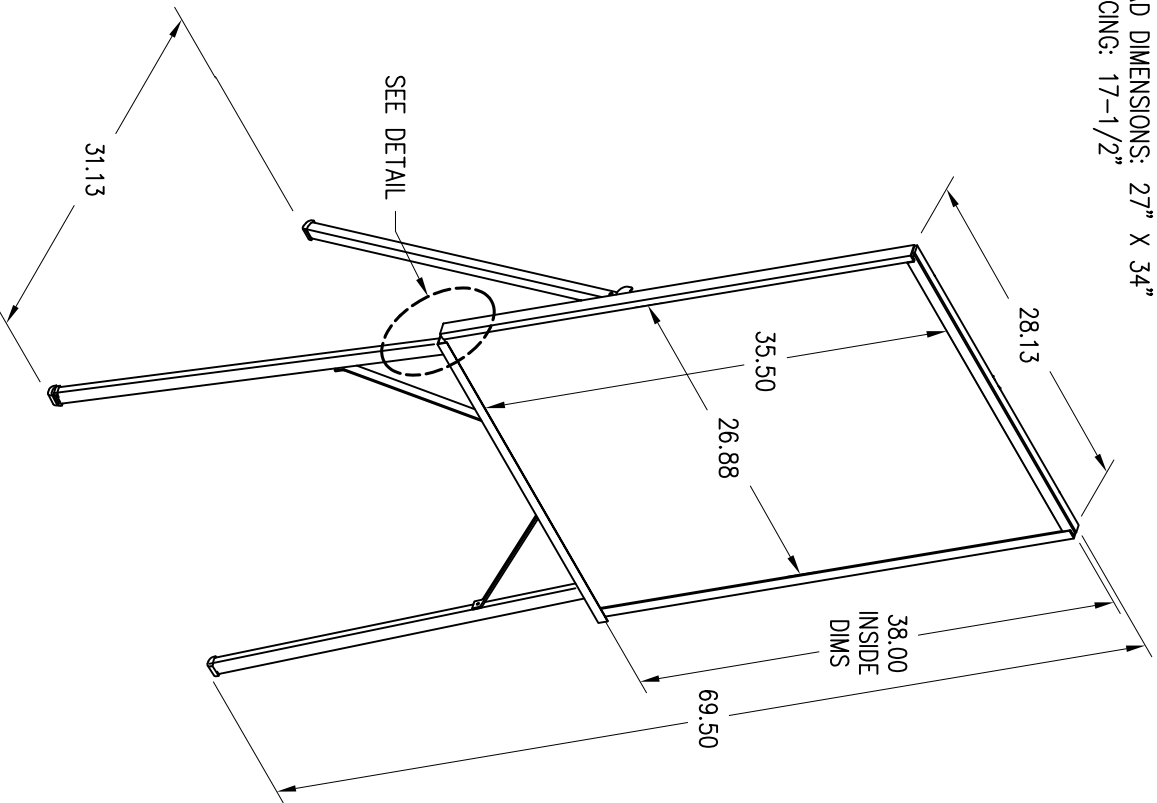
A575 & A585 PORCELAIN EASEL

THE
Advance
PRODUCTS COMPANY
1199 E. Central, Wichita, KS 67214-3922 Ph: (316) 263-4231

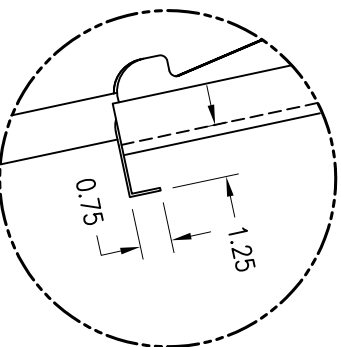
THIS DRAWING IS THE PROPERTY OF THE ADVANCE PRODUCTS COMPANY AND IS NOT TO BE REPRODUCED OR USED TO FURNISH INFORMATION FOR MAKING DRAWINGS EXCEPT WHERE PROVIDED BY AGREEMENT WITH SAID COMPANY.



PAPER PAD DIMENSIONS: 27" X 34"
HOLE SPACING: 17-1/2"



FOLDED VIEW



CHALK TRAY DETAIL