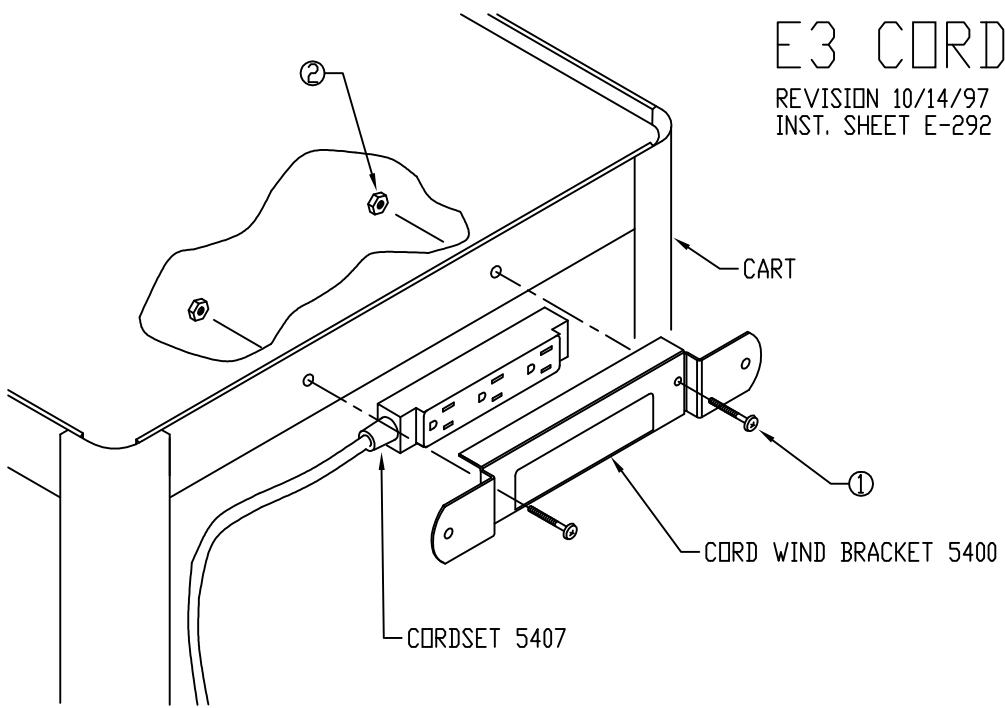


E3 CORDSET PACKAGE (5399)

REVISION 10/14/97
INST. SHEET E-292

PACKAGE SET 5406

ITEM	DESCRIPTION	QTY	PN
1	SCREW, #10-32x1" MACH. PHLP HD	2	2915
2	NUT, 10-24 KEPS	2	5990



E6S2 CORDSET/BRACKET (5405)

REVISION 7/04
INST. SHEET E-261

PACKAGE SET 5404

ITEM	DESCRIPTION	QTY	PN
------	-------------	-----	----

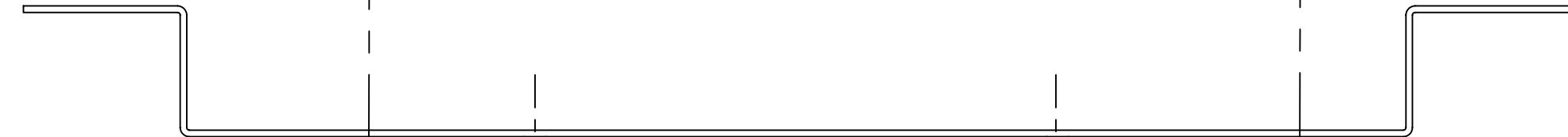
1	NUT, HEX, 1/4"-20 KEPS	2	8797
---	------------------------	---	------

2	SCREW, 8-32x.375" PAN HD, PHLLPS	2	4236
---	----------------------------------	---	------

E6 CORDSET 5179



CORD WIND BRACKET 5401



②

TABLE OR MOUNTING SURFACE



①

