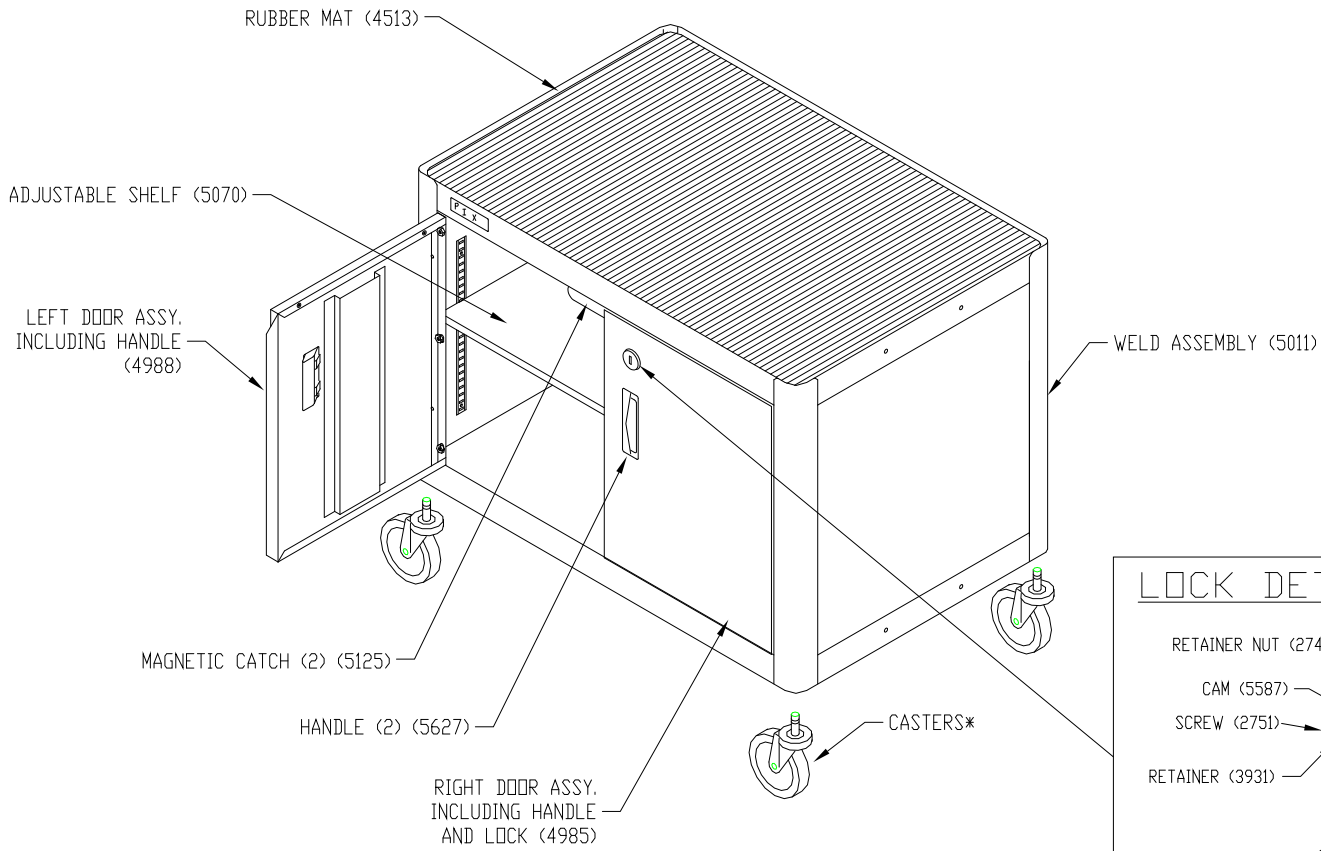


# AV5C-26 (4972)

REVISION: 01/02  
INST. SHEET



PACKAGE SET 5073

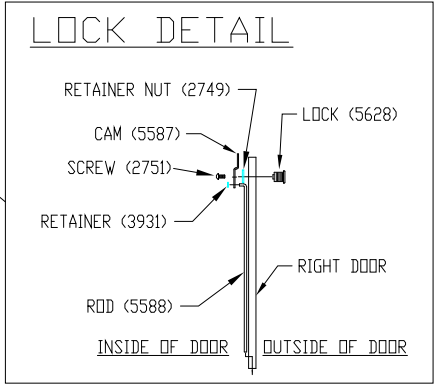
ITEM	DESCRIPTION	QTY	PN
1	KEY	2	2383
2	PILASTER CLIP	4	9171

\* 4" CASTER PACK 5625 (STANDARD)

ITEM	DESCRIPTION	QTY	PN
3	4" CASTER, SWIVEL	2	4753
4	4" CASTER, SWIVEL W/ BRAKE	2	4754
5	PACKAGE SET (ORINGS, 8 EA.)	1	9939

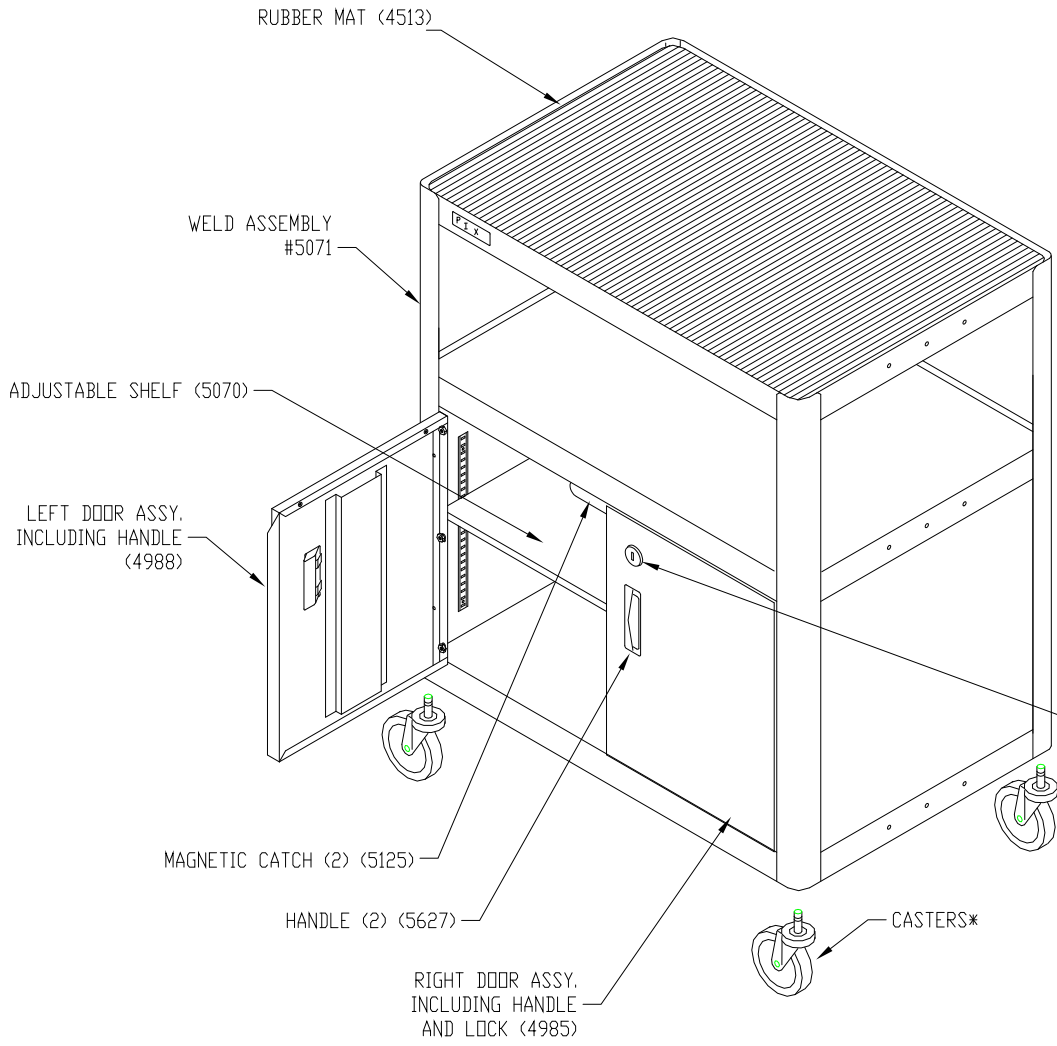
\* 5" CASTER PACK 5975 (OPTIONAL)

ITEM	DESCRIPTION	QTY	PN
6	5" CASTER, SWIVEL	2	5973
7	5" CASTER, SWIVEL W/ BRAKE	2	5974
8	PACKAGE SET (ORINGS, 8 EA.)	1	9939



# AV5C-38 (5036)

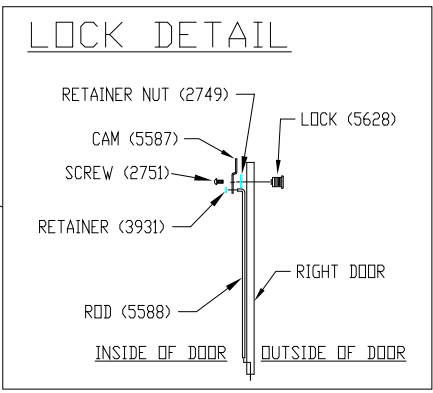
REVISION  
INST. SHEET



PACKAGE SET 5073			
ITEM	DESCRIPTION	QTY	PN
1	KEY	2	2383
2	PILASTER CLIP	4	9171

* 4" CASTER PACK 5625 (STANDARD)			
ITEM	DESCRIPTION	QTY	PN
3	4" CASTER, SWIVEL	2	4753
4	4" CASTER, SWIVEL W/ BRAKE	2	4754
5	PACKAGE SET (DRINGS, 8 EA.)	1	9939

* 5" CASTER PACK 5975 (OPTIONAL)			
ITEM	DESCRIPTION	QTY	PN
6	5" CASTER, SWIVEL	2	5973
7	5" CASTER, SWIVEL W/ BRAKE	2	5974
8	PACKAGE SET (DRINGS, 8 EA.)	1	9939



# AV5C-54J (5032)

# AV5CM-54J (5032 + 5364)

REV. 04/04  
 INST. SHEET E-280 (AV5C-54J)  
 INST. SHEET E-280 & E-285 (AV5CM-54J)

### PACKAGE SET 5074 (FOR AV5C-54J)

ITEM	DESCRIPTION	QTY	PN
1	KEY	2	2383
2	ACC. SHELF SUPPORT	4	9171
3	SCREW, 1/4"-20x.5" BTN HD SCKT	8	3708
4	NUT, 1/4"-20 KEPS	8	8797
5	ALLEN WRENCH, 5/32"	1	3706

### PACKAGE SET 5315 (FOR ACCESSORY SHELF 5364)

ITEM	DESCRIPTION	QTY	PN
3	SCREW, 1/4"-20x.5" BTN HD SCKT	4	3708
4	NUT, 1/4"-20 KEPS	4	8797
5	ALLEN WRENCH, 5/32"	1	3706
6	ACC. SHELF BRACKET	4	5311

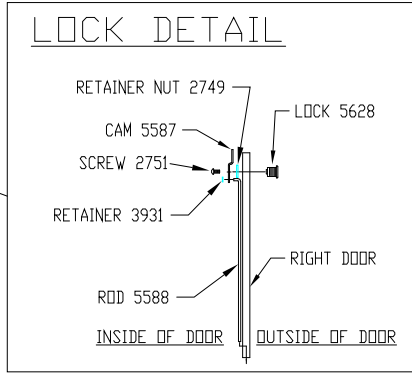
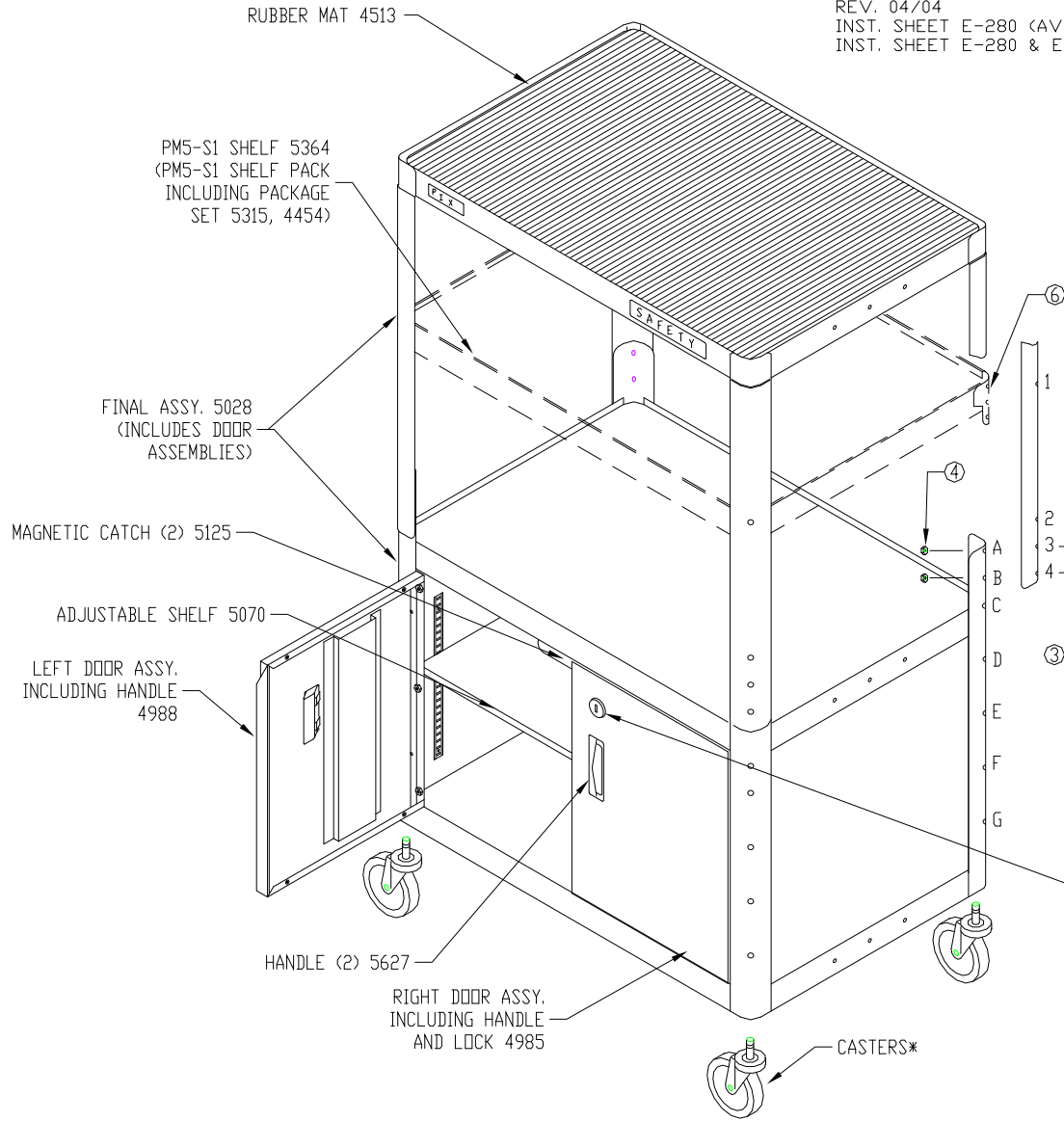
### \* 4" CASTER PACK 5625 (STANDARD)

ITEM	DESCRIPTION	QTY	PN
1	4" CASTER, SWIVEL	2	4753
2	4" CASTER, SWIVEL W/ BRAKE	2	4754
3	PACKAGE SET (DRINGS, 8 EA.)	1	9939

### \* 5" CASTER PACK 5975 (OPTIONAL)

ITEM	DESCRIPTION	QTY	PN
1	5" CASTER, SWIVEL	2	5973
2	5" CASTER, SWIVEL W/ BRAKE	2	5974
3	PACKAGE SET (DRINGS, 8 EA.)	1	9939

TOP SHELF HEIGHT	HOLE ALIGNMENT
54"	A3 B4
52"	A2 B3
50"	B2 C3
48"	C2 D4
46"	D3
44"	D2 E4
42"	A1 E3
40"	B1 E2
38"	C1 F3
36"	G4
34"	D1 G3



VELCRO, 6"  
5570 & 5571

MONITOR NOT  
INCLUDED

SAFETY BELT, 12', 5993

RUBBER MAT 4515

MAXIMUM SIZE  
32" DIAGONAL

FINAL ASSY. (INCLUDES DOOR  
ASSEMBLIES) 5593

MAGNETIC CATCH (2)  
(INSIDE CABINET) 5125

ADJ. SHELF ASSY. 5663

HANDLES (2) 5627

RIGHT DOOR ASSY. INCLUDING  
HANDLE AND LOCK 5591

LEFT DOOR ASSY.  
INCLUDING HANDLE  
5592

NON-SWIVEL  
CASTERS (2) 4355

SWIVEL CASTER W/  
BRAKE (2) 4356

# AV7ULC-49 (4863)

REV. 02/01  
INST. SHEET E-268

PACKAGE SET 5073

ITEM	DESCRIPTION	QTY	PN
1	KEY	2	2383
2	ACC. SHELF SUPPORT	4	9171

## LOCK DETAIL

