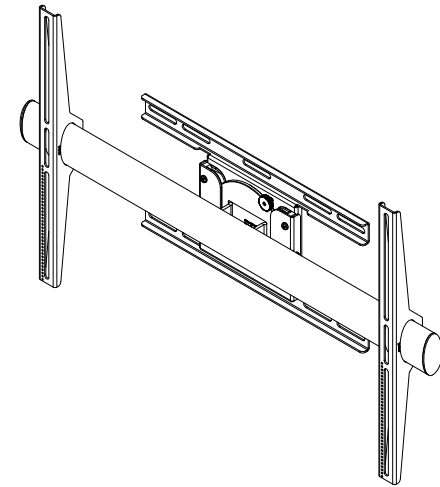
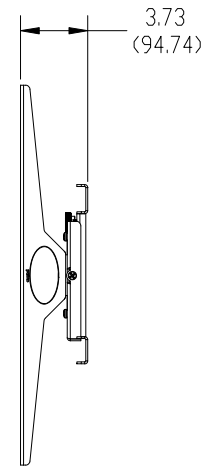
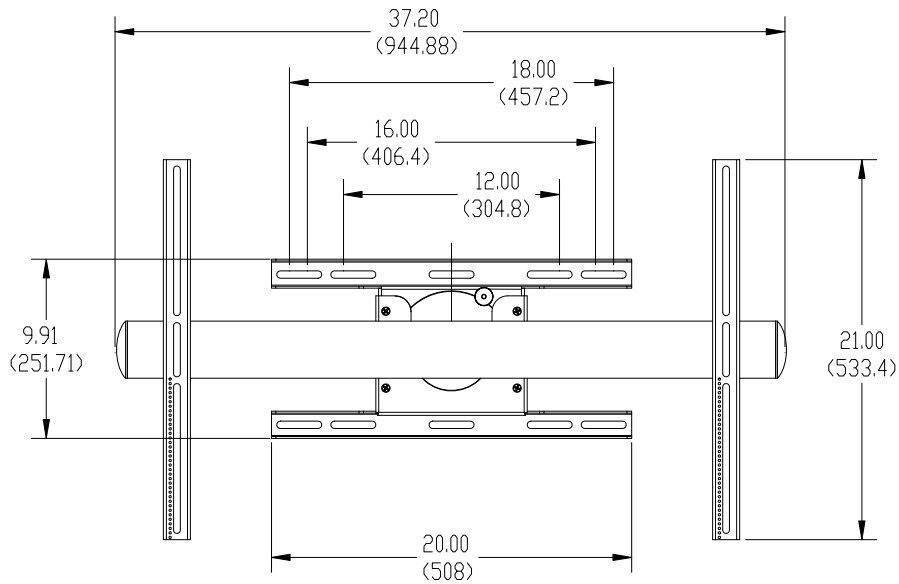
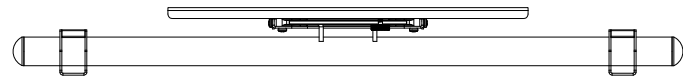


PREMIER MOUNT DIVISION OF PMPT SHALL NOT BE RESPONSIBLE FOR ANY REPRODUCTION OR DISTRIBUTION OF THIS DRAWING WITHOUT THE WRITTEN PERMISSION OF PREMIER MOUNT DIVISION OF PMPT.

| REVISIONS |             |      |          |
|-----------|-------------|------|----------|
| REV.      | DESCRIPTION | DATE | APPROVED |
|           |             |      |          |



**Architectural Specifications**  
 The mount will be a Premier Mounts RFM-L, or equivalent, and can be used to mount plasma, or LCD, displays from a wall mount location. It will be made of cold-rolled steel tubing and will support up to 160lbs. It will be UL listed and approved. Assembly and installation will be performed according to the instructions provided by the manufacturer.

Surface Types - Wall (wood and concrete)  
 Weight Capacity - 160lbs.  
 Dimensions - 37.20" (W) x 9.91" (H - Universal Mounting Brackets: 21.00")  
 Adjustability - Rotational Capacity of 360°  
 Attachment - Griplate™ and Washers