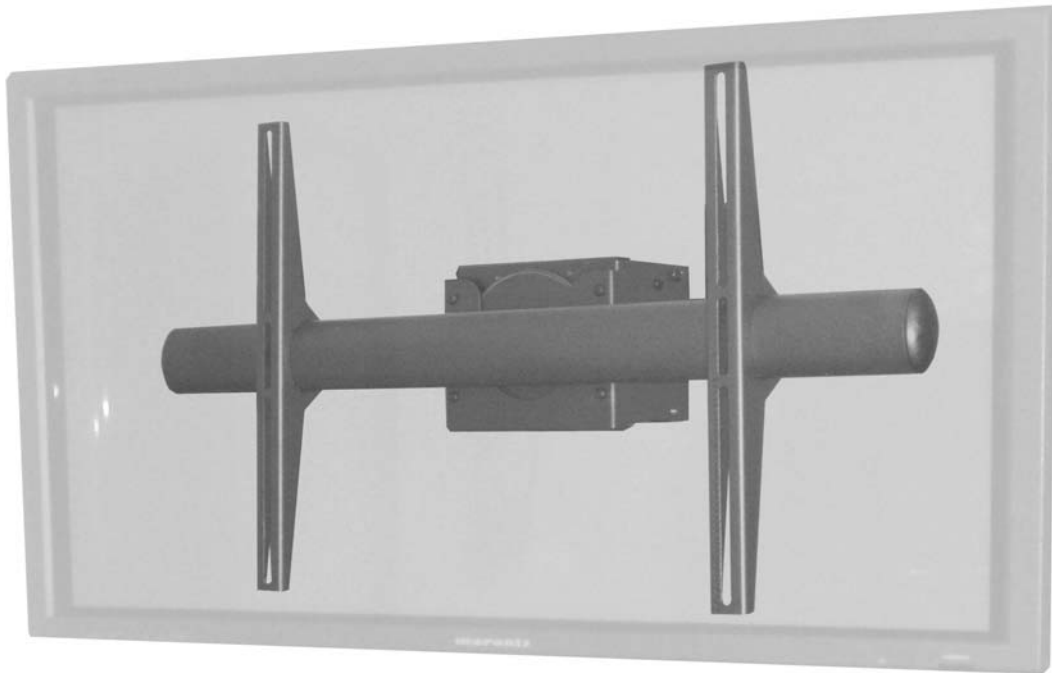


## **Installation Instructions**



# *Rotary Series*

## **Rotary Tilt Mount Model: RTM-L**

---

### **NORTH AMERICA**

3130 East Miraloma Avenue  
Anaheim, CA 92806 USA  
USA and Canada -  
Phone: 800-368-9700  
Fax: 800-832-4888

### **EUROPE**

Swallow House,  
Shilton Industrial Estate,  
Shilton, Coventry, England CV79JY  
Phone: +44 (0) 2476 614700  
Fax: +44 (0) 2476 614710

### **AUSTRALIA, NEW ZEALAND, OCEANIA (Distributor)**

P.O. Box 295  
Mordialloc Victoria 3195  
Australia  
Phone: 03 9586 6330  
[www.premiermounts.com.au](http://www.premiermounts.com.au)



## TABLE OF CONTENTS

Warranty .....	2
Contact Premier Mounts .....	2
Warning Statements .....	3
Parts List .....	4
Installation Tools.....	4
Thread Depth Indicator .....	7
Mount Installation .....	8
Universal Mounting Bracket Installation .....	9
Display Orientation .....	11
Securing the Display .....	11
Tilt Positioning .....	12
Optional Configurations .....	12
Technical Specifications .....	12
Addendum .....	13

### PREMIER MOUNTS LIMITED LIFETIME WARRANTY

#### What and Who is Covered by this Limited Warranty and for How Long

Premier Mounts warrants this product to be free from defects in material and workmanship for the lifetime of the original owner of this product. The limited warranty is valid only for the original purchaser of the product.

#### What Premier Mounts Will Do

At the sole option of Premier Mounts, Premier Mounts will repair or replace any product or product part that is defective. If Premier Mounts chooses to replace a defective product or part, a replacement product or part will be shipped to you at no charge, but you must pay any labor costs.

#### What is Not Covered; Limitations

PREMIER MOUNTS DISCLAIMS ANY LIABILITY FOR DAMAGE TO MOUNTS, ADAPTERS, DISPLAYS, PROJECTORS, OTHER PROPERTY, OR PERSONAL INJURY RESULTING, IN WHOLE OR IN PART, FROM IMPROPER INSTALLATION, MODIFICATION, USE OR MISUSE OF ITS PRODUCTS.

PREMIER MOUNTS DISCLAIMS ALL OTHER WARRANTIES, EXPRESS OR IMPLIED, INCLUDING WARRANTIES OF MERCHANTABILITY AND FITNESS FOR A PARTICULAR PURPOSE. PREMIER MOUNTS IS NOT RESPONSIBLE FOR INCIDENTAL OR CONSEQUENTIAL DAMAGES, INCLUDING BUT NOT LIMITED TO, INABILITY TO USE ITS PRODUCTS OR LABOR COSTS FOR REMOVING AND REPLACING DEFECTIVE PRODUCTS OR PARTS. SOME STATES DO NOT ALLOW THE EXCLUSION OR LIMITATION OF INCIDENTAL OR CONSEQUENTIAL DAMAGES, SO THE ABOVE LIMITATION OR EXCLUSION MAY NOT APPLY TO YOU.

#### What Customers Must Do for Limited Warranty Service

If you discover a problem that you think may be covered by the warranty you MUST REPORT it in writing to the address below within thirty (30) days. Proof of purchase (an original sales receipt) from the original consumer purchaser must accompany all warranty claims. Warranty claims must also include a description of the problem, the purchaser's name, address, and telephone number. General inquiries can be addressed to Premier Mounts Customer Service at 1-800-368-9700. Warranty claims will not be accepted over the phone or by fax.

Premier Mounts  
Attn: Warranty Claim  
3130 E. Miraloma Avenue  
Anaheim, CA 92806

#### How State Law Applies

THIS WARRANTY GIVES YOU SPECIFIC LEGAL RIGHTS, AND YOU MAY ALSO HAVE OTHER RIGHTS WHICH VARY FROM STATE TO STATE.



## Warning Statements

**WARNING:** PREMIER MOUNTS DOES NOT WARRANT AGAINST DAMAGE CAUSED BY THE USE OF ANY PREMIER MOUNTS PRODUCT FOR PURPOSES OTHER THAN THOSE FOR WHICH IT WAS DESIGNED OR DAMAGE CAUSED BY UNAUTHORIZED ATTACHMENTS OR MODIFICATIONS, AND IS NOT RESPONSIBLE FOR ANY DAMAGES, CLAIMS, DEMANDS, SUITS, ACTIONS OR CAUSES OF ACTION OF WHATEVER KIND RESULTING FROM, ARISING OUT OF OR IN ANY MANNER RELATING TO ANY SUCH USE, ATTACHMENTS OR MODIFICATIONS.

**WARNING:** THE MOUNTING SURFACE MUST BE CAPABLE OF SUPPORTING 160 LBS. IF NOT, THE MOUNTING SURFACE MUST BE REINFORCED. PROPER INSTALLATION PROCEDURES BY A QUALIFIED SERVICE TECHNICIAN, AS OUTLINED IN THE INSTALLATION INSTRUCTIONS, MUST BE ADHERED TO. FAILURE TO DO SO COULD RESULT IN SERIOUS PERSONAL INJURY, OR EVEN DEATH.

**WARNING:** SAFETY MEASURES MUST BE PRACTICED AT ALL TIMES DURING THE INSTALLATION OF THIS PRODUCT. USE PROPER SAFETY GEAR AND TOOLS FOR THE INSTALLATION PROCEDURE TO PREVENT PERSONAL INJURY.

**WARNING:** PRIOR TO THE INSTALLATION OF THIS PRODUCT, THE INSTALLATION INSTRUCTIONS SHOULD BE READ AND COMPLETELY UNDERSTOOD. THE INSTALLATION INSTRUCTIONS MUST BE READ TO PREVENT PERSONAL INJURY AND PROPERTY DAMAGE. KEEP THESE INSTALLATION INSTRUCTIONS IN AN EASILY ACCESSIBLE LOCATION FOR FUTURE REFERENCE.



Indicates that the power plug is to be disconnected from the power outlet.



Safety precautions must be taken at all times.



Warning and Caution statements.



A secure structure must support the weight, or load, of the display.



Do not install on a structure that is prone to vibration, movement or chance of impact. Failure to do so could result in damage to the display and/or damage to the mounting surface.



Do not install near heater, fireplace, direct sunlight, air conditioning or any other source of direct heat energy. Failure to do so may result in damage to the display and could increase the risk of fire.



At least two qualified people should perform the installation procedure. Injury and/or damage can result from dropping or mishandling the display.

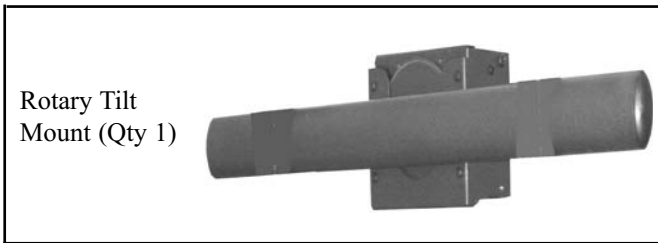
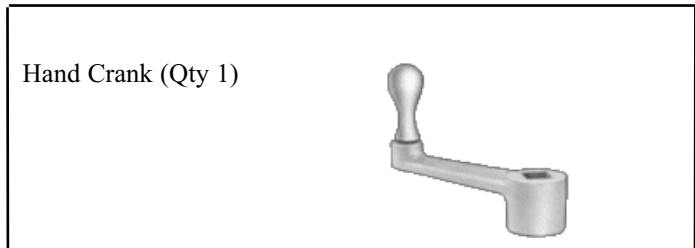
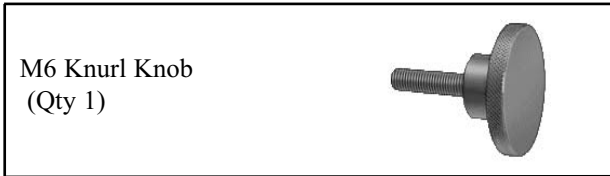
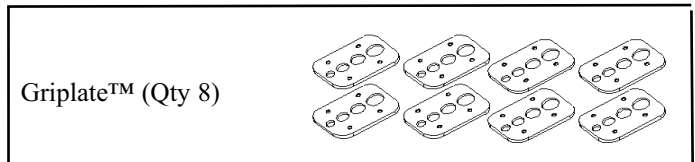
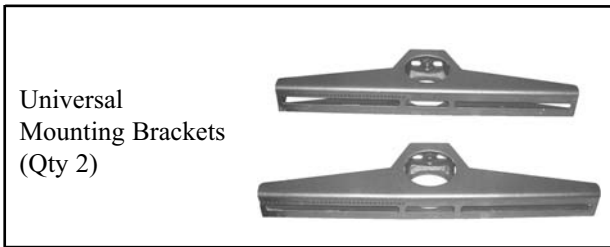


Contact Premier Mounts with any technical/ installation questions.



**Parts List**

**NOTE:** This mount is shipped with all installation hardware and components. Make sure that none of these parts are missing and/ or damaged before beginning installation. If there are parts missing and/or damaged, please stop and contact Premier Mounts (800) 368-9700.



**Installation Tools**


Phillips Head Screw Driver  
 Tape Measure  
 5/32" Allen Wrench (Supplied)

Soft Material/ Blanket  
 Thread Depth Indicator (Supplied)  
 Level (Supplied)

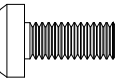
Pencil  
 Level (Supplied)




## Parts List (Cont.)

M4 x 16  (Qty 8)

M4 x 25  (Qty 8)

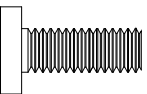
M5 x 12  (Qty 8)

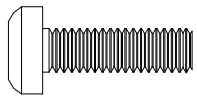
M5 x 16  (Qty 8)

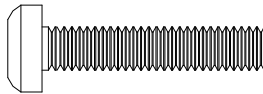
M5 x 20  (Qty 8)

M5 x 25  (Qty 8)

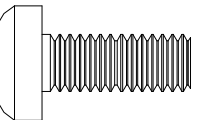
M5 x 50  (Qty 8)

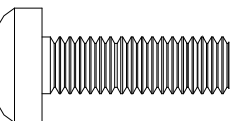
M6 x 16  (Qty 8)

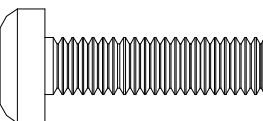
M6 x 20  (Qty 8)

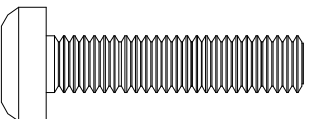
M6 x 30  (Qty 8)

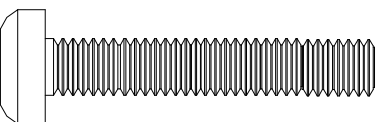
M6 x 45  (Qty 8)

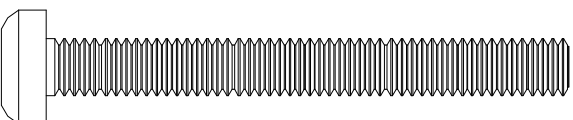
M8 x 20  (Qty 8)

M8 x 25  (Qty 8)

M8 x 30  (Qty 8)

M8 x 35  (Qty 8)

M8 x 45  (Qty 8)

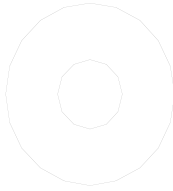
M8 x 70  (Qty 4)



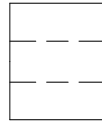
### Parts List (Cont.)

Nylon spacers and flat washers' actual size

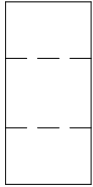
**NOTE:** The nylon spacers may be stacked to achieve proper spacing.



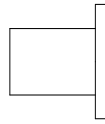
1/4" Nylon spacers  
(large)  
(Qty 8)



9/16" Nylon spacers  
(Qty 8)



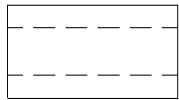
1/2" Nylon spacers  
(large)  
(Qty 12)



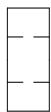
Nylon sleeves  
(Qty 8)



5/16" Flat washers  
(metal)  
(Qty 8)



1" Nylon spacers  
(Qty 8)



1/4" Nylon spacers  
(Small)  
(Qty 8)



## Thread Depth Indicator

1. Insert the thread depth indicator (supplied) through the thread inserts found on the back of the flat panel to make sure the inserts measure the same full depth and mark it (Figure 1).
2. Locate the correct diameter screw for the thread insert. Compare your marking to the screws (supplied).
3. The screw length must not bypass the marking. Select another screw size (Figure 2 and 3), until you find one that comes closest to your mark without going past.
4. If your selected screw is longer than the marking on the thread depth indicator, DO NOT USE this screw.

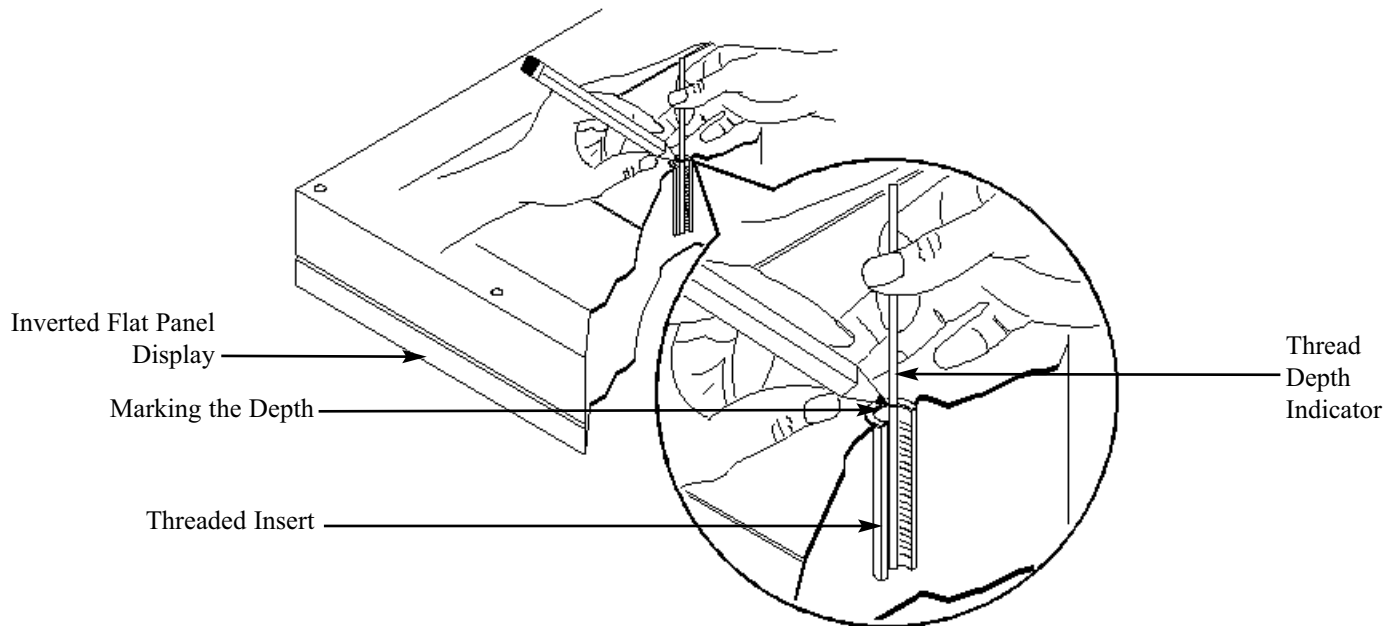


Figure 1

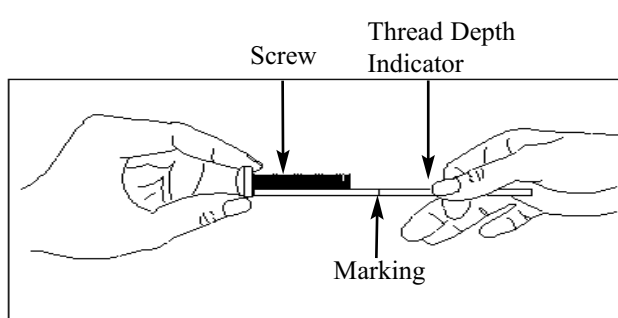


Figure 2

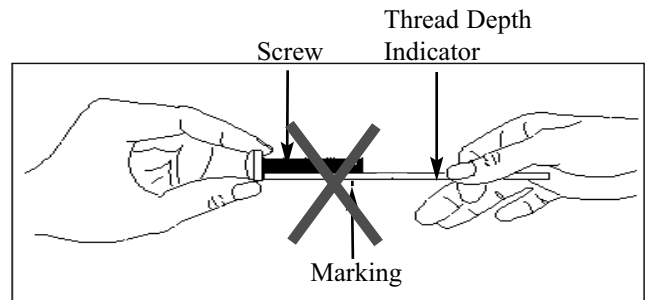


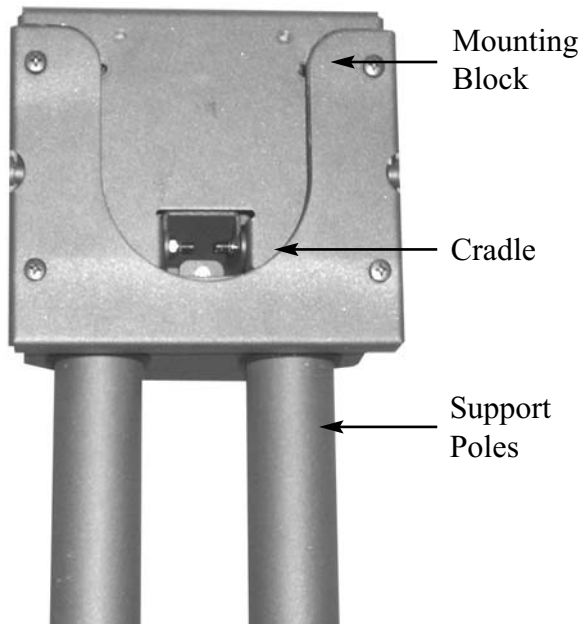
Figure 3



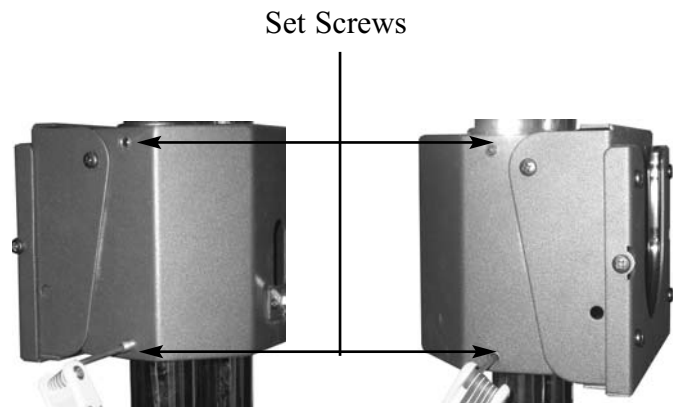
## Mount Installation

**NOTE:** The installation instructions that are contained in this manual refer only to the RTM-L. The installation instructions for the various bases that are used with the RTM-L will be included with those products.

**NOTE:** Prior to installing the RTM-L, the mounting configuration must already be assembled (base, support poles, etc.).



1. Slide the mounting block over and down the support poles.



2. To secure the mounting block to the support poles, tighten the four set screws (located on each side of the mounting block), using the 5/32" Allen wrench (supplied).

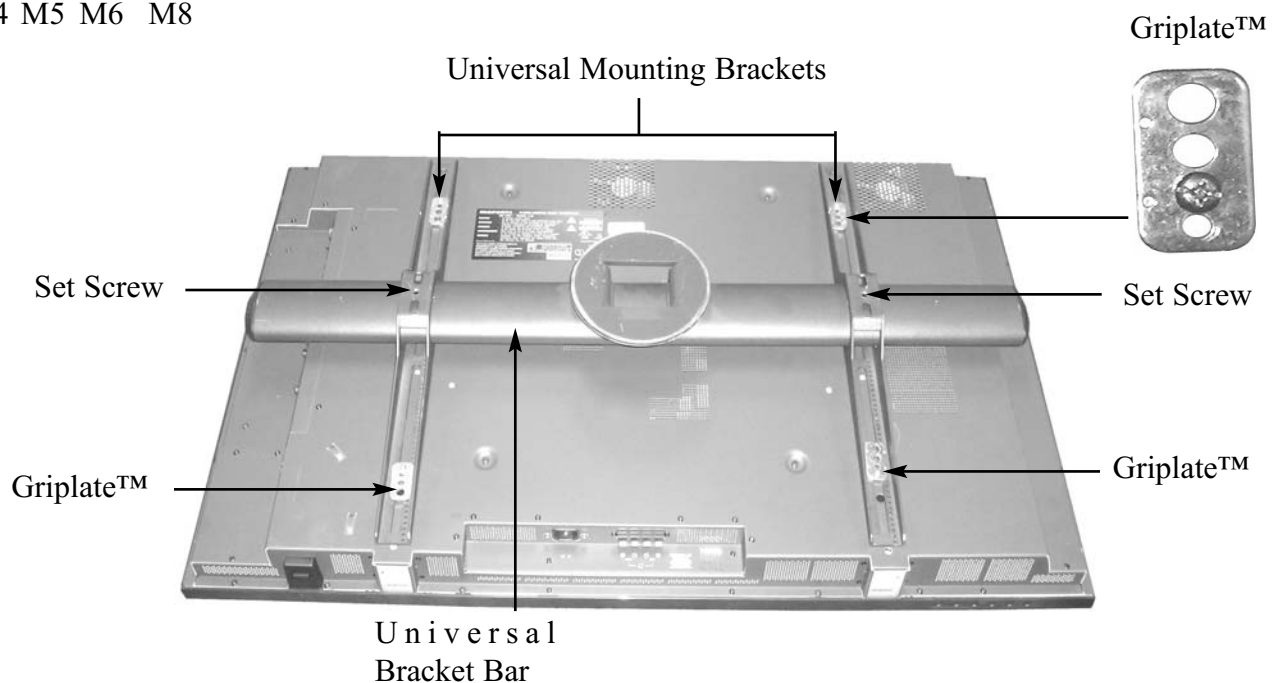
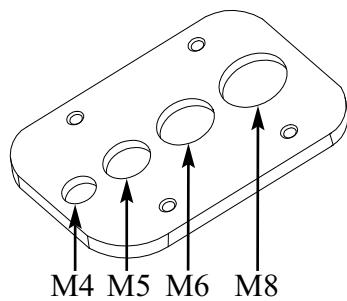


## Universal Mounting Bracket Assembly

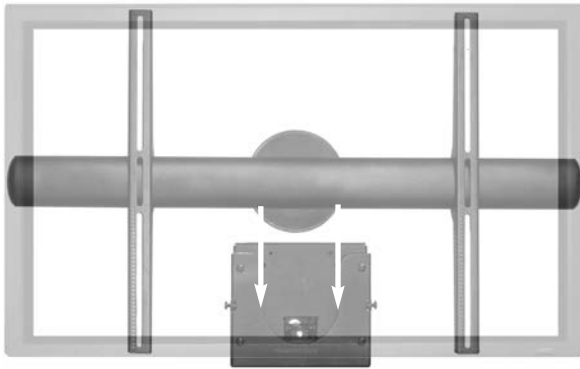
1. Place the universal bracket bar and the universal brackets on a flat surface.
2. Slide the universal brackets onto the universal bracket bar (as shown below) with the set screws facing up. At this time, do not tighten the set screws that are located on the universal bracket.
3. Place the display on a soft, flat surface, face-down. Next, place the universal bracket assembly on the back of the display, with the universal brackets resting directly over the display mounting points.
4. Once the desired position has been determined, place the Griplate™ washers over each mounting point and secure them using the appropriate hardware (see Page 5).

**NOTE:** For the two upper mounting points, the Griplate™ dimples must be facing up. For the two lower mounting points, the Griplate™ dimples must be facing down.

5. At this time, center the universal bracket bar and tighten the set screws that are located on the universal brackets.



**WARNING:** IT WILL TAKE TWO PEOPLE TO COMPLETE THE NEXT INSTALLATION STEP.

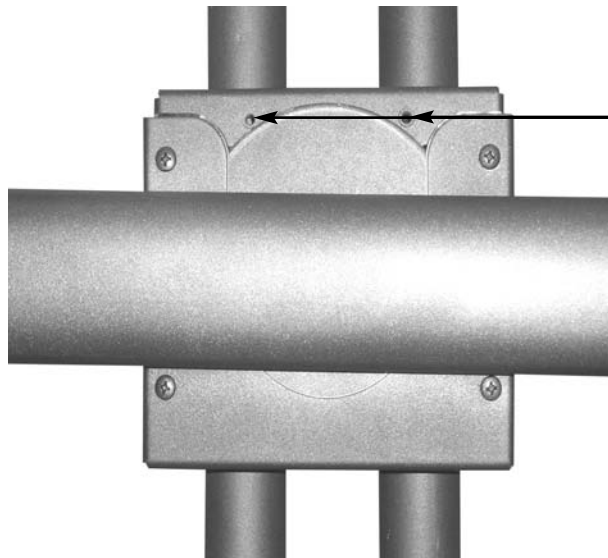


3. Lower the universal bracket bar and display into the cradle (as to the left).



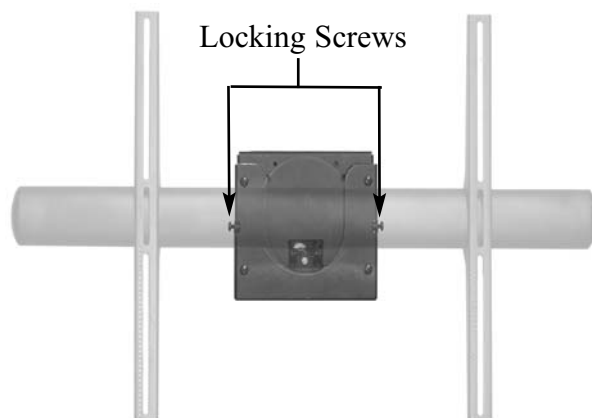
Nylon Sleeve

- NOTE:** The circular portion of the universal bracket bar must rest inside the nylon sleeve. If seated improperly, the operation of the RTM-L will be hindered and the nylon sleeve will become damaged.



Knurl Knob Mounting Points (a knurl knob may be placed in either mounting hole)

4. Insert an M6 knurl knob into the knurl knob mounting point and tighten.



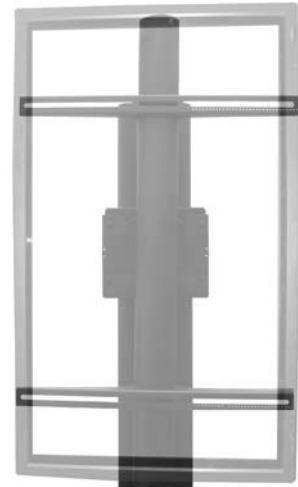
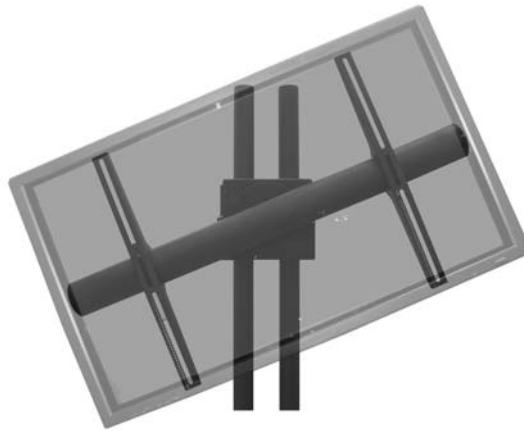
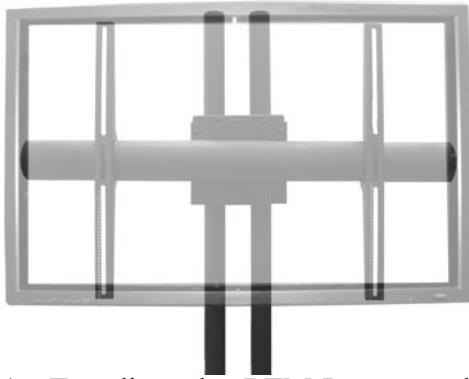
5. Tighten the two (2) Phillips head screws (located on the side of the mounting block) once the final position is attained.



## Display Orientation

The RTM-L will allow the user to adjust the display a full 360°.

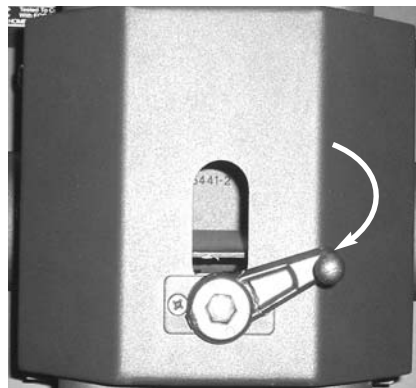
**WARNING:** BEFORE ROTATING THE RTM-L, MAKE SURE THAT THE M6 KNURL KNOB IS SECURELY FASTENED TO THE RTM-L. ALSO, PLEASE MAKE SURE YOU ALLOW ENOUGH CABLE AND WIRE CLEARANCE FOR FULL ROTATION.



1. To adjust the RTM-L, rotate the display either clockwise or counter-clockwise.

2. Tighten the two Phillips head locking screws (see Step 5, Page 10).

## Tilt Positioning



Rotate the crank handle to tilt the RTM-L:  
Down - Clockwise  
Up - Counter-Clockwise



The RTM-L has the ability to tilt 10° down.

The RTM-L has the ability to tilt 35° up.

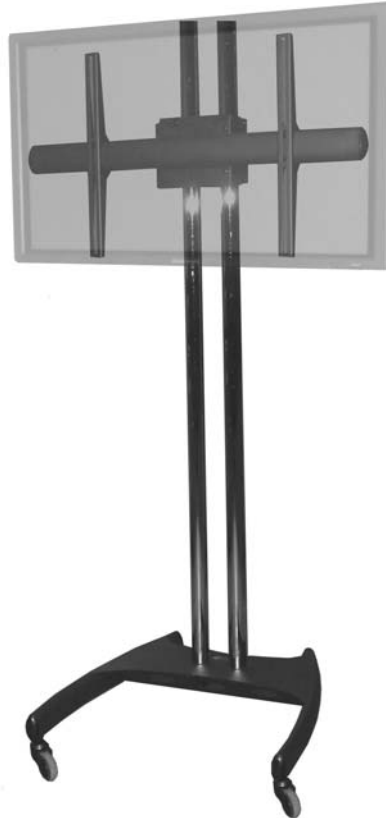
1. Once the position has been locked down, use an Allen wrench to take off the crank handle.
2. Once the crank handle has been removed, re-attach the crank handle, but in the opposite direction from what it was. This is the storage position for the handle.



## Optional Configurations



**PSD-TS**



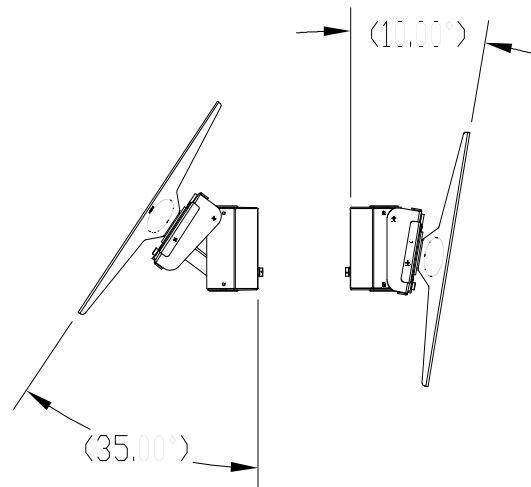
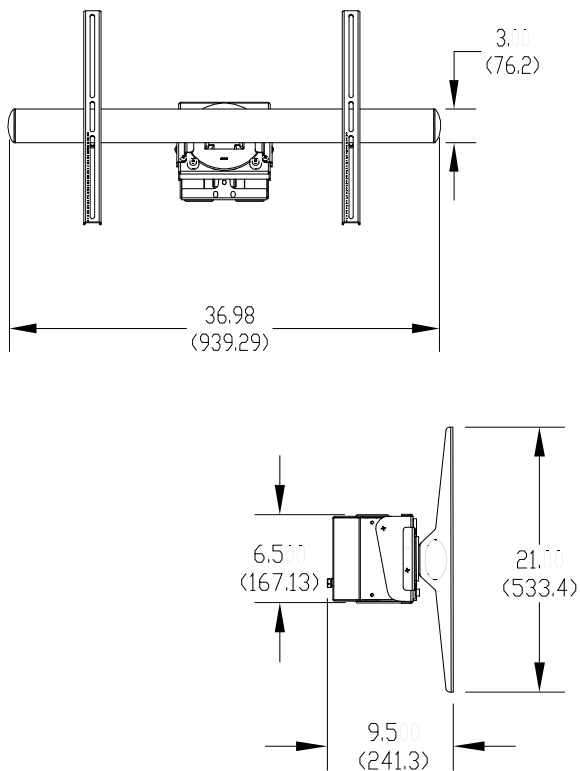
**PSD-BW**



**PSD-EB**

## Technical Specifications

All measurements are in inches (mm).





### RTM-L ADDENDUM:



The RTM-L is shipped with the hand crank in the storage position. The hand crank must be removed in order for the RTM-L to be adjusted. After the adjustments have been made, return the hand crank to the storage position. If the hand crank is not returned to the storage position, it may cause damage to the unit or other equipment. Please return the hand crank to the storage position after operation.

Hand Crank  
(Qty 1)



5/32" Allen Wrench  
(Qty 1)

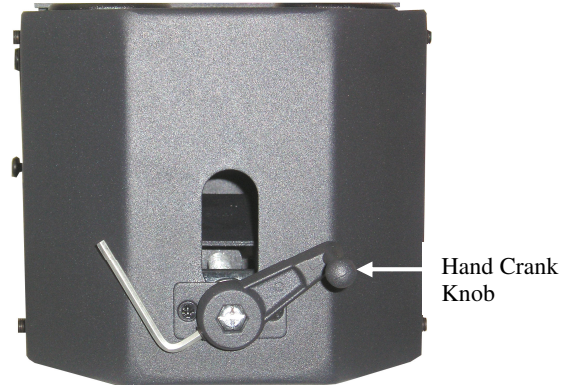
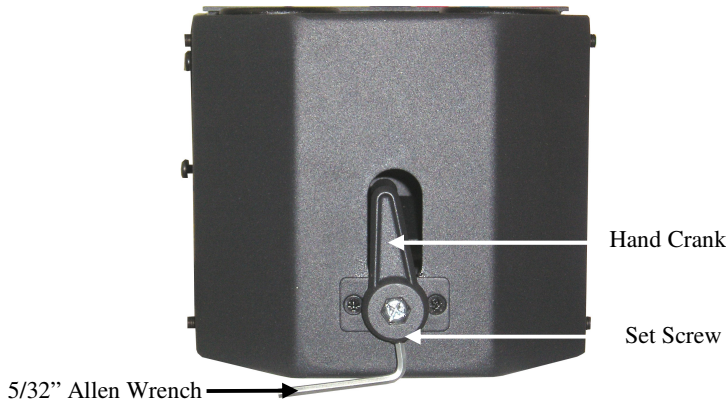


#### Storage Position

Loosen the M8 set screw using the 5/32" Allen wrench. Remove the hand crank.

#### Operating Position

Once the hand crank has been removed, turn the hand crank around so that the hand crank knob is pointing away from the unit. Place the hand crank back onto the unit and tighten the set screw with the 5/32" Allen wrench.



#### Storage Position

Slide the hand crank back onto the RTM-L and tighten the set screw using the 5/32" Allen wrench.

