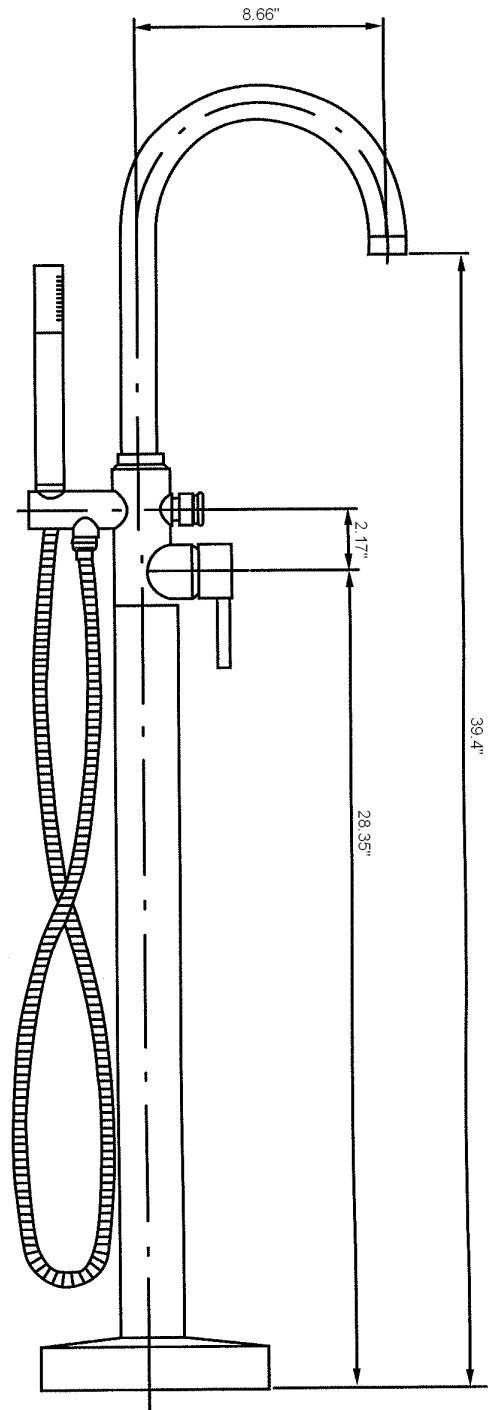
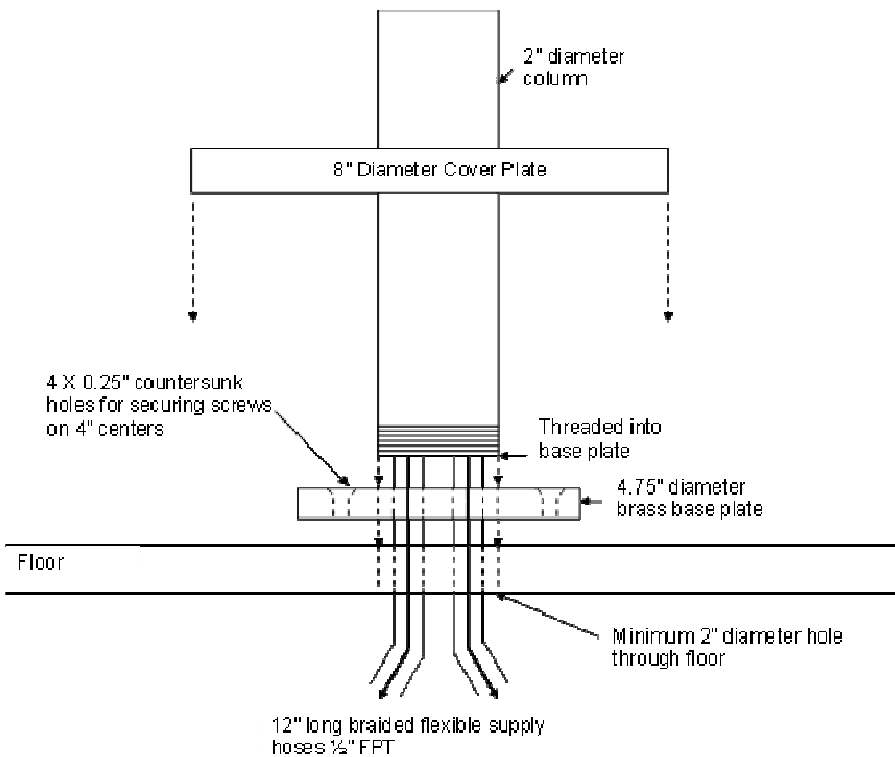


ARTOS®

Opera Freestanding Bath Tub Filler

F502-3

Installation Detail



WESTOVER
COMPANY

5708 F Street · Omaha, NE 68117
PH 402-397-3344 · FX 402-731-1473
www.artos-westover.com