

# Prescott

"...finding solutions for families,  
especially busy moms."™

www.omnialeather.com www.kathyireland.com

kathy ireland  
HOME®

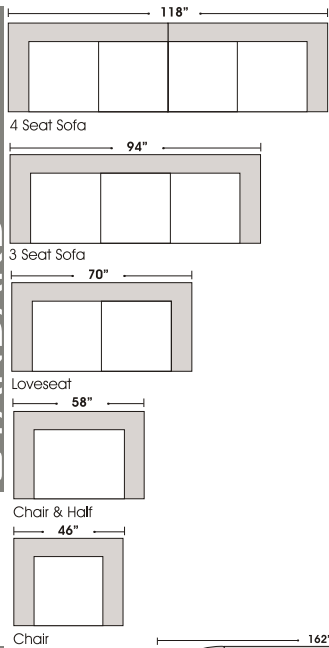
by  
**OMNIA**  
FURNITURE

Americana

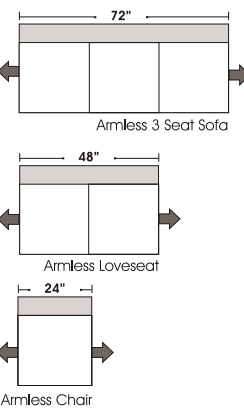


8.26.07

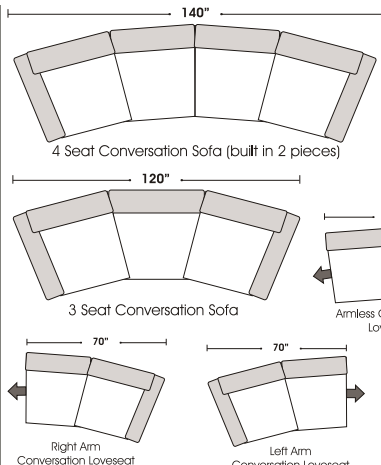
STANDARD



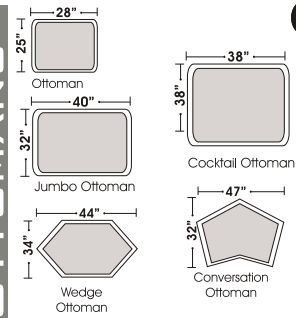
ARMLESS



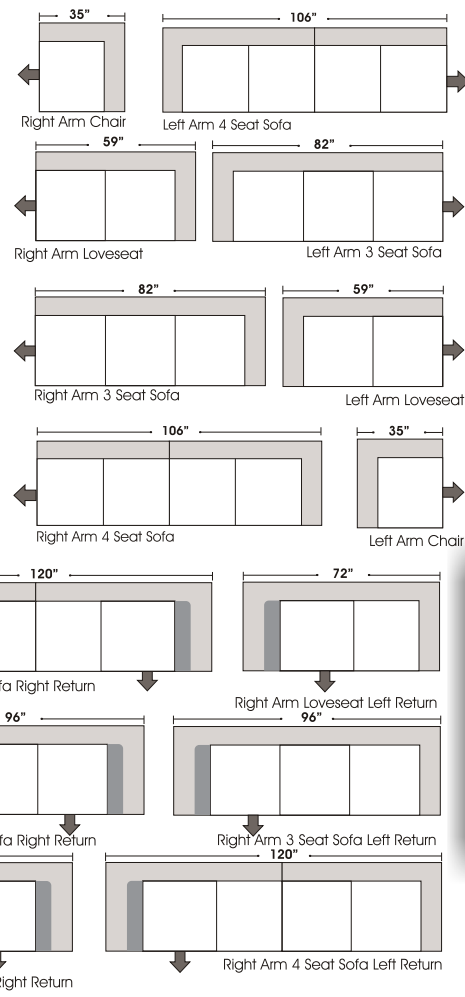
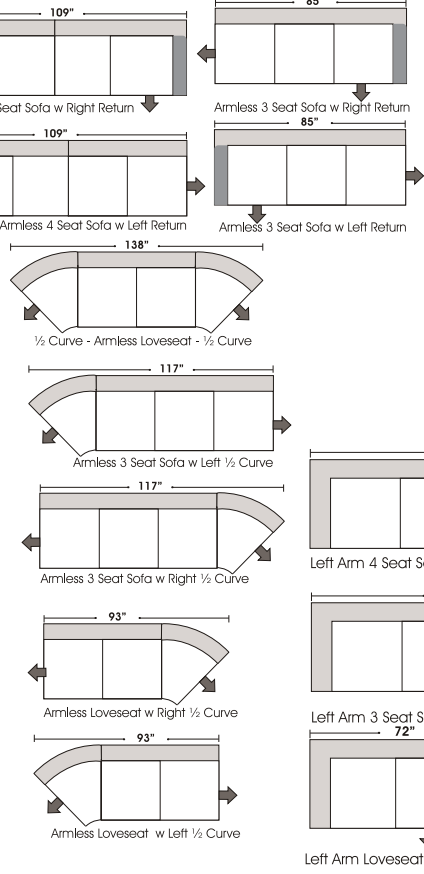
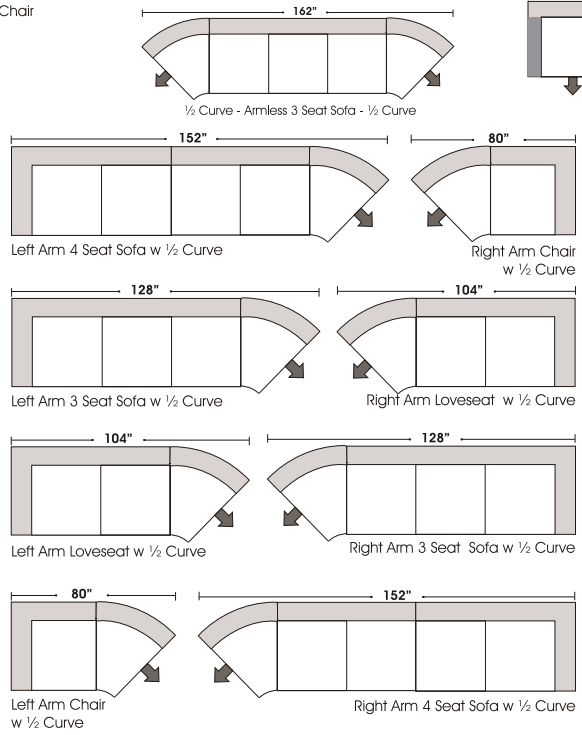
CONVERSATION SOFAS



OTTOMANS



L-SHAPE / 90 DEGREE SECTIONAL



**Features** ✓ Special orders shipped within 4-6 weeks

**Standard:**

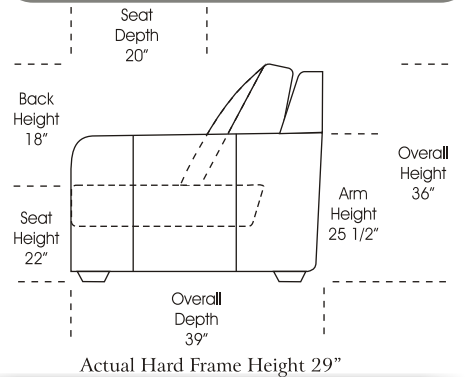
- All Full or Top-Grain Leather
- All hardwood frames

**Options:**

- Down Seats & Down Backs (Additional Charges Apply)
- No. 33 Firm Seating

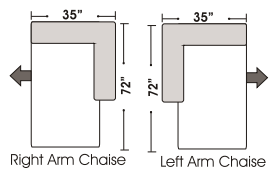
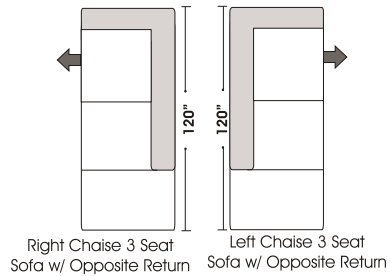
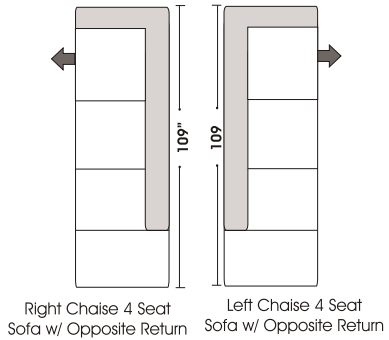
**Sleeper Options:**

- Queen Sleeper Option Available w/ Standard Mattress (Additional Charges Apply)
- Twin Sleeper Option Available w/ Standard Mattress (Additional Charges Apply)
- Deluxe Innerspring Mattress: Queen / Full / Twin (Additional Charges Apply)
- Air Dream Coil Mattress: Queen or Full Size Only (Additional Charges Apply)
- Hideaway Air Mattress: Queen Size Only (Additional Charges Apply)



Note: All sizes are approximate.

# Suggested Configurations



CHAISES

